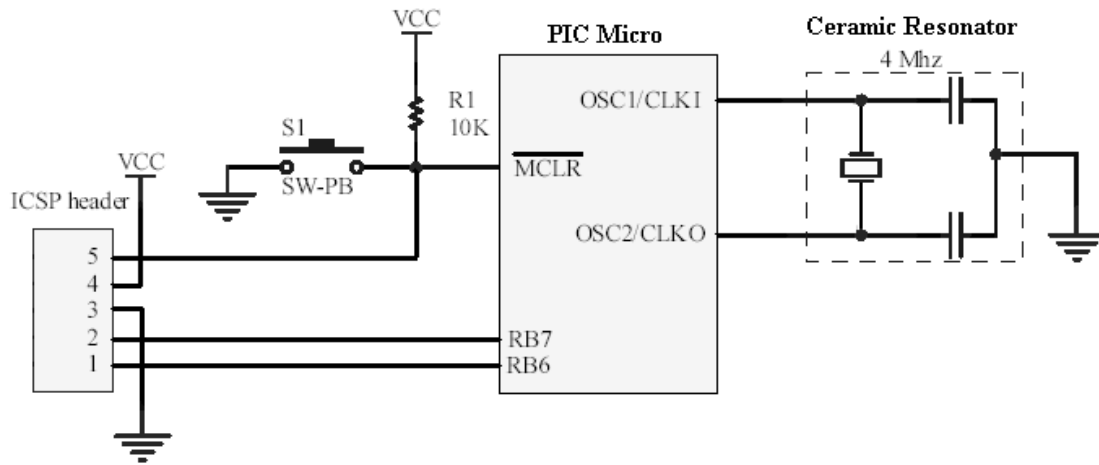


# DT-HiQ PIC ICSP PROGRAMMER

## Target Board configuration for PIC microcontroller



ICSP header is a header pair for white connectors on DTHiQ ICSP PIC Programmer.

Configuration from ICSP Header as follow:

No	Function
1	PGC (Clock / RB6)
2	PGD (Data / RB7)
3	GND
4	VCC (+5V)
5	VPP

In the programming process, **Ceramic Resonator** is allowed not to be connected. **Ceramic Resonator can be replaced** with oscillator circuit based on the requirement in every microcontroller datasheet.